



JOURNEY TO JERSEY

Technical Rider



BACKLINE GEAR:

- FRONT OF HOUSE

- BERINGHER X-32 OR A MIDAS M-32 FOR FRONT OF HOUSE MIXER

- MONITOR SYSTEM

- BAND HAS IN-EARS NO STAGE WEDGES FOR MONITORS
- 8 STAGE POWER OUTLETS

- LIGHTING SYSTEM

- ADEQUATE, PROFESSIONAL LIGHTING FOR THE VENUE

- DRUM RISER

- DRUM RISER (8X8 SQUARE)
- DRUMMER HAS MICS/CABLES/STANDS)
- OVERHEAD MIC STANDS NEEDED

HOSPITALITY NEEDS:

- BOTTLED WATER (CASE)
- A MEAL FOR 6 PEOPLE
 - (EXAMPLES: PIZZA, FINGER FOODS, SUBS, ETC)
- DRESSING ROOM - ROOM FOR 5 PEOPLE
 - WITH A MIRROR
 - RESTROOMS
 - 10 HAND TOWELS

- HOTEL ROOMS

- 4 HOTEL ROOMS (MAX)

Acceptance. We acknowledge and confirm that we have read and approved the terms and conditions outlined in this rider as deemed by our signature below.

Signature of Purchaser

Date: ____/____/____

Date - 2026

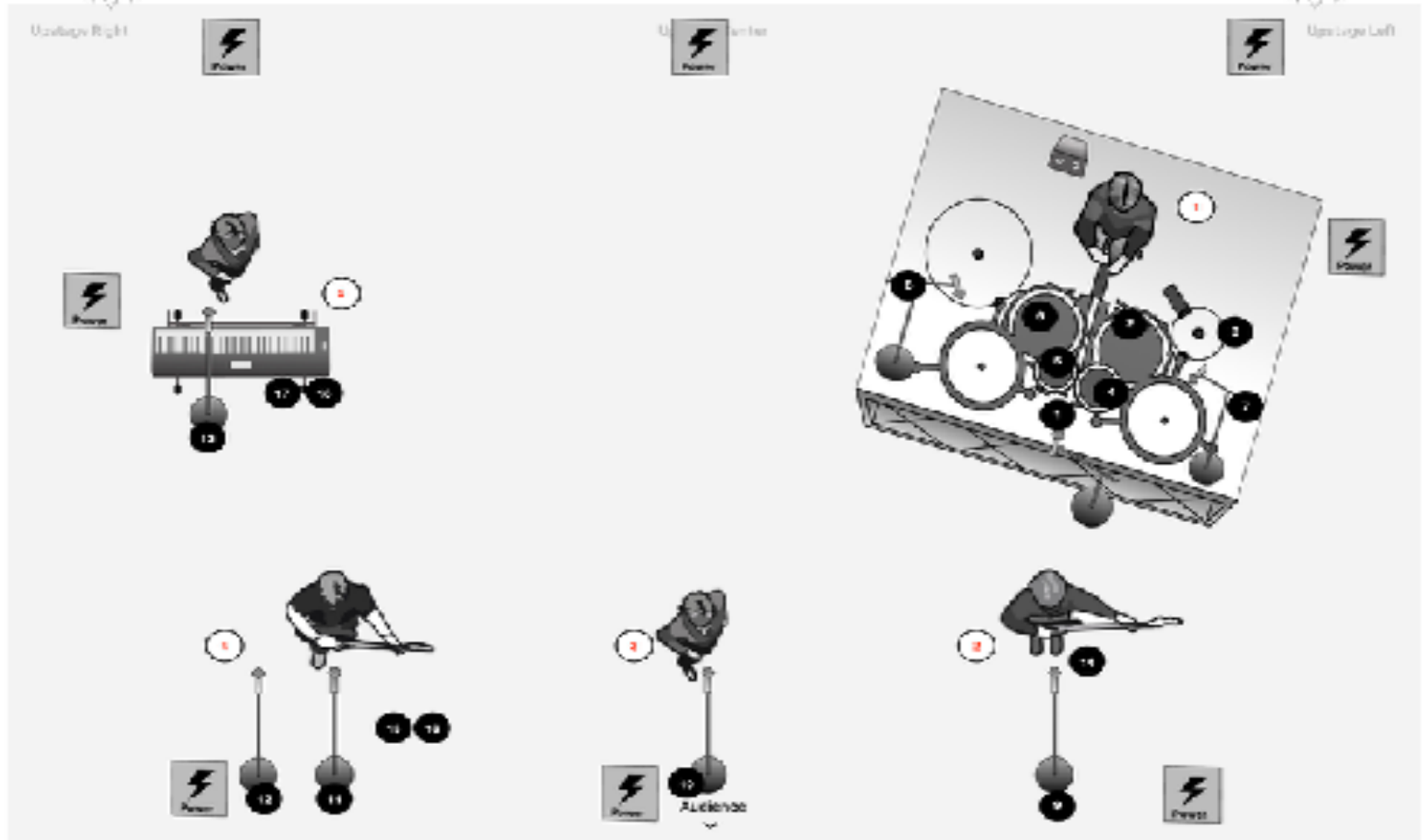
JOURNEY TO JERSEY

Technical Rider

04/2026



JOURNEY TO JERSEY



	INPUTS
1	KICK DRUM
2	SNARE DRUM
3	HIGH HATS
4	TOM 1
5	TOM 2
6	TOM 3
7	OVERHAED 1
8	OVERHEAD 2
9	BASS VOCALS
10	WIRELESS VOCALS
11	GUITAR VOCALS
12	GUITAR VOCALS 2
13	KEYS VOCALS

	INPUTS
14	BASS
15	GUITAR 1
16	GUITAR 2
17	KEYS L
18	KEYS R
	IN-EARS/OUTPUTs
1	DRUMS
2	BASS
3	LEAD VOCALS
4	GUITAR
5	KEYS